

SPECIFICATION FOR APPROVAL

承認書

Customer (客戶) : _____
Product Name (產品名稱) : SPEAKER
Zhenmei PartNo. 臻美(型號): MIM407004TR0807-01
Specification (臻美規格) : 4070 腔体 4Ω 5W
Customer's Model No. (客戶型號) : _____
Specification No. (規格書編號) : XYD407004TR0807
Number of the edition (版本號) : A1

CUSTOMER'S APPROVED SIGNATURE 客戶承認蓋章		



廣東臻美智能電子科技有限公司

Guangdong zhenmei intelligent electronic technology co., ltd.

地址:廣東省東莞市塘廈鎮華新智慧工業園華新路 22 號

TEL: 400-659-1989 FAX:0769-82196690

Http: www.zhenmeigd.com E-MAIL: sales888@zhenmeigd.com

Approved by 核准	Checked by 審核	Issued by 製成
		JCF

SPECIFICATION FOR APPROVAL
承認書

PAGE NO.
頁碼

2/7

PART . NO.
產品型號

MIM407004TR0807-01

产品概要/PRODUCT OUTLINE

1

1-1 适用范围/SCOPE

This specification is applicable to intelligent devices.

1-2 尺寸/DIMENSIONS

As shown in fig (1)

1-3 大小/SIZE

40*70*2Z±0.5mm.

标准试验状态

Standard Test Condition

一般规格试验状态 (特殊要求除外)

常温 5 ~ 35℃ , 常湿 45% ~ 85% , 气压 860 ~ 1060hPa

但判定上有疑问时 , 试验状态为 :

温度 20±2℃ , 相对湿度 60% ~ 70% , 气压 860 ~ 1060hPa

2

The test conditions unless otherwise specified should be

Normal temperature 5 to 35℃,Normal humidity 45 to 85%

And normal atmospheric pressure 860 to 1060hPa

However,if there arises a doubt in judgement,the test conditions shall be as follows:

Temperature 20±2℃

Humidity 60% ~ 70%

Atmosphere 860 ~ 1060hPa

SPECIFICATION FOR APPROVAL

承認書

PAGE NO.
頁碼

3/7

PART . NO.
產品型號

MIM407004TR0807-01

电气规格/ELECTRICAL SPECIFICATIONS

3-1 输出音压位准
SOUND PRESSURE LEVEL 97±3dB (at 1.0K,1.2K,1.5K,2.0KHz 0dB=20μPa)
Measurement is as shown in fig(2), Input: 0.63V=0.1W

3-2 阻抗
IMPEDANCE ACZ: 4.0±15% ohm(at 2.0KHz,063V)

3-3 频宽回应
FREQUENCY RESPONSE As shown in fig(3)

3-4 额定输入功率
Rate Input Power 5W

3-5 最大输入功率
Max Input Power 6W

3-6 异常音测试
Buzzes & Rattles Must be free audible noise
(From FO to 20KHz frequency range,Input:4.47V)

3-7 最低共振频率
LOWEST RESONANCE
FREQUENCY Fo:550Hz±15%

3-8 有效频宽
FREQUENCY RANGE F0~20KHz

3-9 工作温度
OPERATING TEMPERATURE -20°C to +60°C

3-10 贮存温度
STORE TEMPERATURE -40°C to +80°C

3

SPECIFICATION FOR APPROVAL

承認書

PAGE NO.

頁碼

4/7

PART . NO.

產品型號

MIM407004TR0807-01

信頼性試験/RELIABLE TEST

4-1 概述

GENERAL

After any following tests the response at 1 KHz shall not deviate more than ± 3 dB from the initial value

4-2 负载试验

LOAD TEST

输入电压 / **Input Power** : 4.47V@5W
 输入信号 / **Input Signal** : white noise
 时 间 / **Duration** : 96 hours
 试验后放置时间 / **Duration of Recovery** : 2hrs of conditions at 20°C

4-3 湿度试验

HUMIDITY TEST

温 度 / **Temperature** : $+40^{\circ}\text{C} \pm 3^{\circ}\text{C}$
 相对湿度 / **Relative Humidity** : 90%~95%
 时 间 / **Duration** : 96 hours
 试验后放置时间 / **Duration of Recovery** : 4hrs of conditions at 20°C

4-4 低温试验

LOW TEMPERATURE TEST

温 度 / **Temperature** : $-40^{\circ}\text{C} \pm 3^{\circ}\text{C}$
 时 间 / **Duration** : 96 hours
 试验后放置时间 / **Duration of Recovery** : 4hrs of conditions at 20°C

4-5 高温试验

HIGH TEMPERATURE TEST

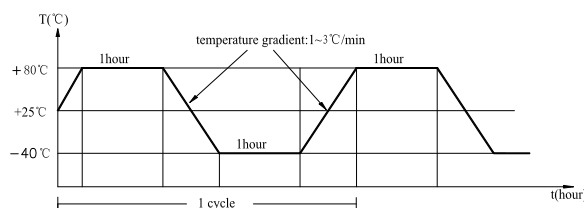
温 度 / **Temperature** : $+80^{\circ}\text{C} \pm 3^{\circ}\text{C}$
 时 间 / **Duration** : 96 hours
 试验后放置时间 / **Duration of Recovery** : 4hrs of conditions at 20°C

4

4-6 温度循环试验

TEMPERATURE CYCLES TEST

TEMPERTURE:



循环次数 / **Cycles** : 10 Cycles
 试验后放置时间 / **Duration of Recovery** : 4hrs of conditions at 20°C

4-7 落地试验

TEST DROP TEST

落下方向 / **Direction** : 1 corner, 3 sides, 6 faces
 落下回数 / **Times** : Once in each directions
 高 度 / **Height** : From 1.5m (on the concrete)
 试验后放置时间 / **Duration of Recovery** : 4hrs of conditions at 20°C
 依包装实体一角三棱六面作自由落体试验后, 实体外观需正常

4-8 振动试验

VIBRATION TEST

振 动 / **Vibration** : 10-55Hz
 振 幅 / **Amplitude** : 1.5mm
 时 间 / **Times** : 1 hour in each of 3axes
 试验后放置时间 / **Duration of Recovery** : 4hrs of conditions at 20°C

SPECIFICATION FOR APPROVAL
承認書

PAGE NO.
頁碼

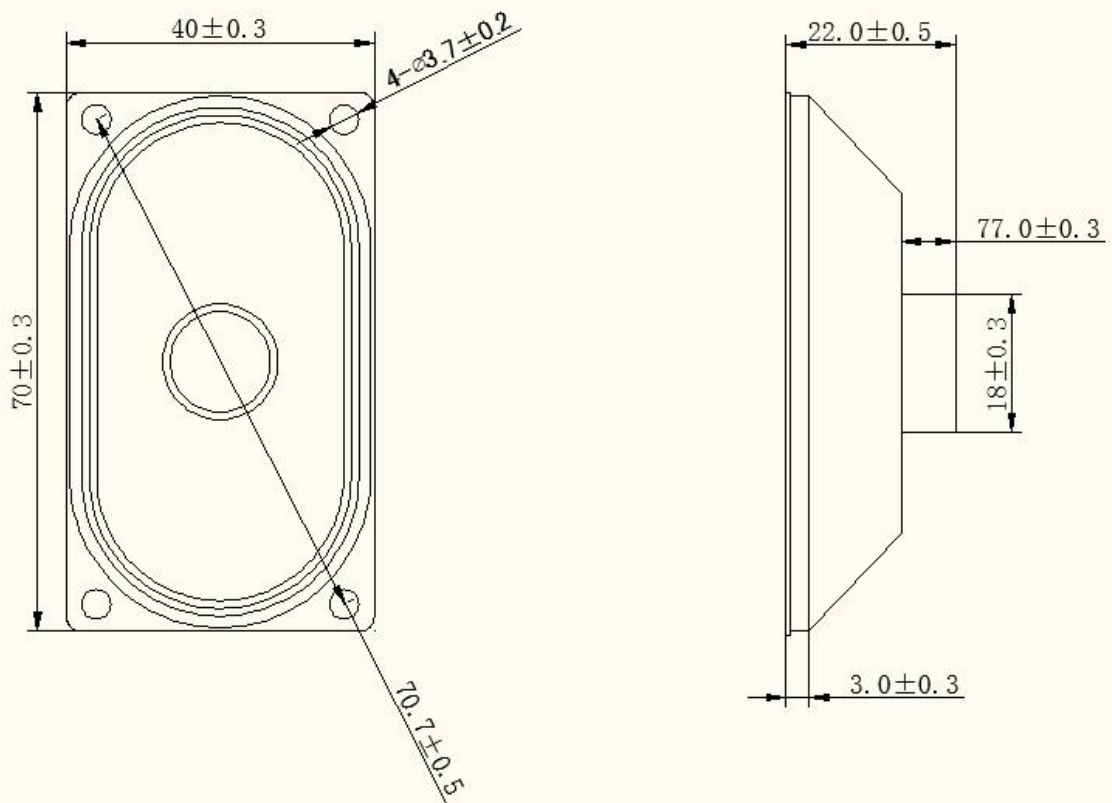
5/7

PART NO.
產品型號

MIM407004TR0807-01

DIMENSIONS (fig.1)

外观图



5

SPECIFICATION FOR APPROVAL
承認書

PAGE NO.
頁碼

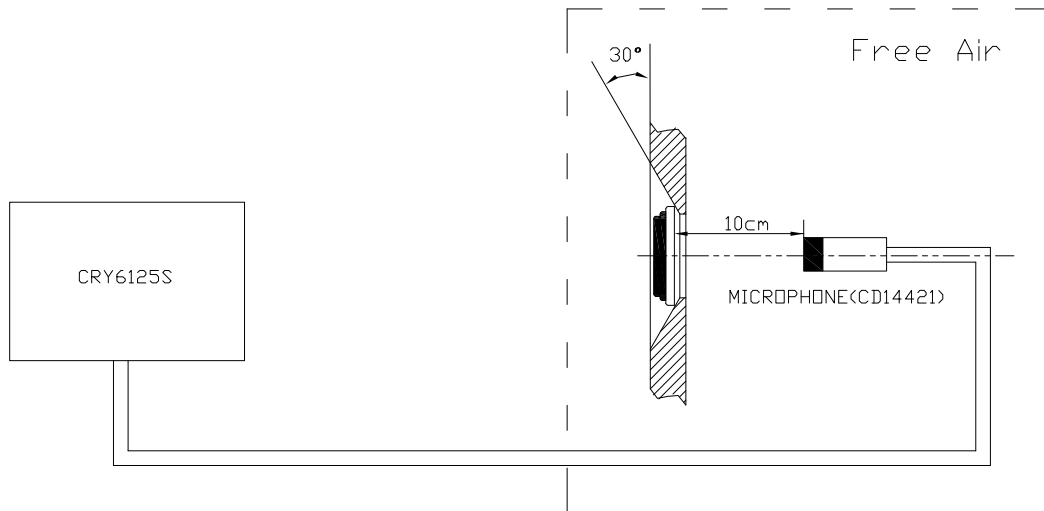
6/7

PART. NO.
產品型號

MIM407004TR0807-01

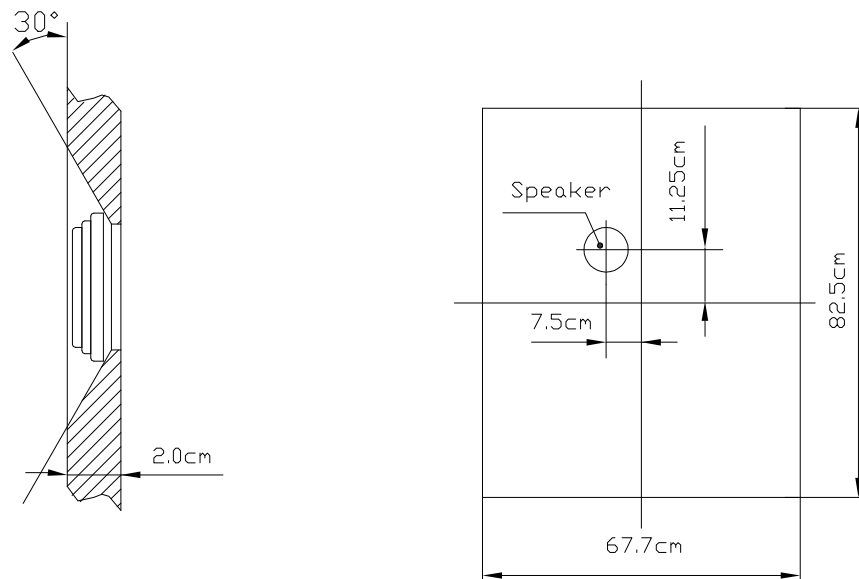
ELECTRICAL AND ACOUSTICAL MEASURING CONDITION (fig.2)

1. MEASUREMENT



6

2.Measurement Board(IEC-268-5)



SPECIFICATION FOR APPROVAL
承認書

PAGE NO.
頁碼

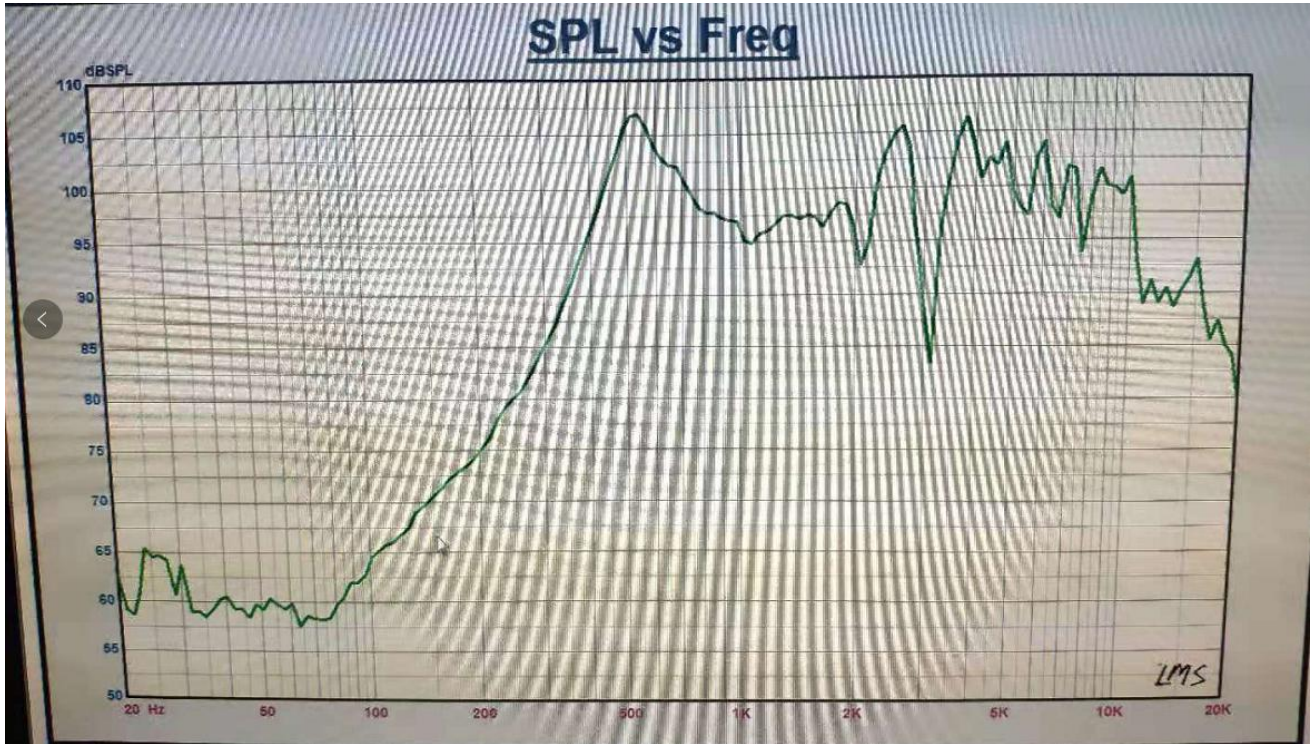
7/7

PART. NO.
產品型號

MIM407004TR0807-01

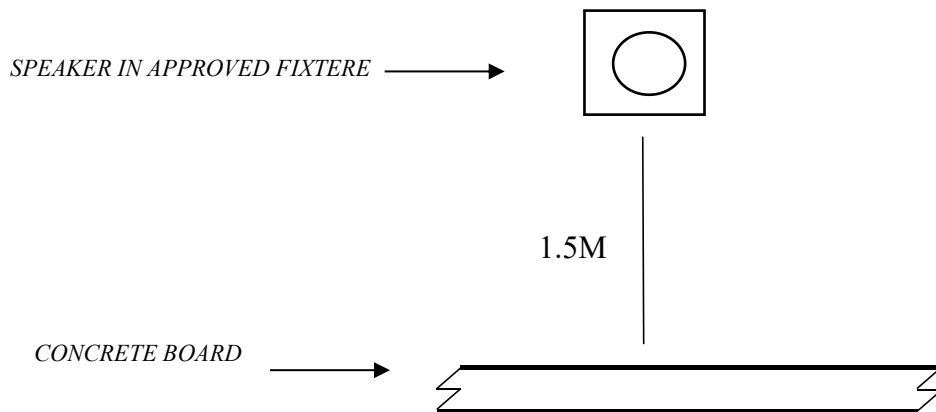
FREQUENCY RESPONSE (fig.3)

曲线图



7

DROP TEST (fig.4)



8