

SPECIFICATION FOR APPROVAL

承 认 书

Customer (客户) : _____
Product Name (产品名称) : 电磁式无源蜂鸣器
Zhenmei Part No. (臻美型号): MIMS-9042-042-001
Specification (产品规格) : 9*4.2mm
Customer's Model No. (客户型号): _____
Specification No. (规格书编号): LXB-09042-42 欧
Number of the edition (版本号) : A1

CUSTOMER'S APPROVED SIGNATURE 客户承认盖章		



广东臻美智能电子科技有限公司

Guangdong zhenmei intelligent electronic technology co., ltd.

地址:广东省东莞市塘厦镇华新智慧工业园华新路 22 号

TEL: 400-659-1989 FAX:0769-82196690

Http: www.zhenmeigd.com E-MAIL: sales888@zhenmeigd.com

Approved by 核准	Checked by 审核	Issued by 制成
		CCN

SPECIFICATION FOR APPROVAL
承认书

PAGE NO.
页码

2/5

PART. NO.
产品型号

MIMS-9042-042-001

A. SCOPE

This specification applies magnetic buzzer, MIMS-9042-042-001

B. SPECIFICATION

No.	Item	Unit	Specification	Condition
1	Oscillation Frequency	KHz	2.7 ± 0.3	
2	Operating Voltage	Vdc	3~ 12	
3	Rated Voltage	Vdc	5	
4	Current Consumption	mA	MAX. 60	at Rated Voltage
5	Sound Pressure Level	dB	MIN. 90	at 10cm at Rated Voltage
6	Coil Resistance	ou	42±3	
7	Operating Temperature	°C	-20 ~ +70	
8	Storage Temperature	°C	-30 ~ +80	
9	Dimension	mm	Φ9.0 x H4.2	See appearance drawing
10	Weight (MAX)	gram	1.0	
11	Housing Material		PPO(Black)	
12	Leading Pin		Tin Plated Brass(Sn)	See appearance drawing
13	Environmental Protection Regulation		RoHS	

SPECIFICATION FOR APPROVAL
承认书

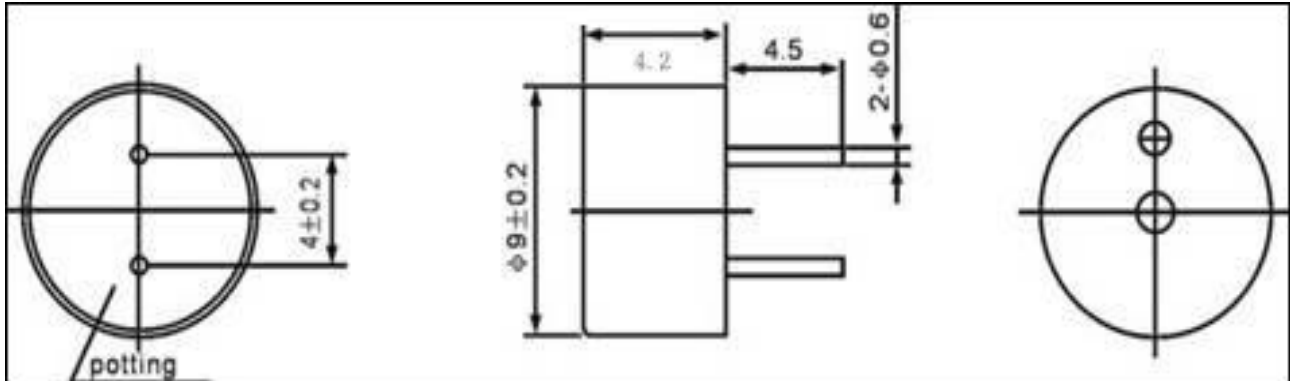
PAGE NO.
页码

3/5

PART .NO.
产品型号

MIMS-9042-042-001

C. APPEARANCE DRAWING



Tol : ± 0.5 Unit: mm

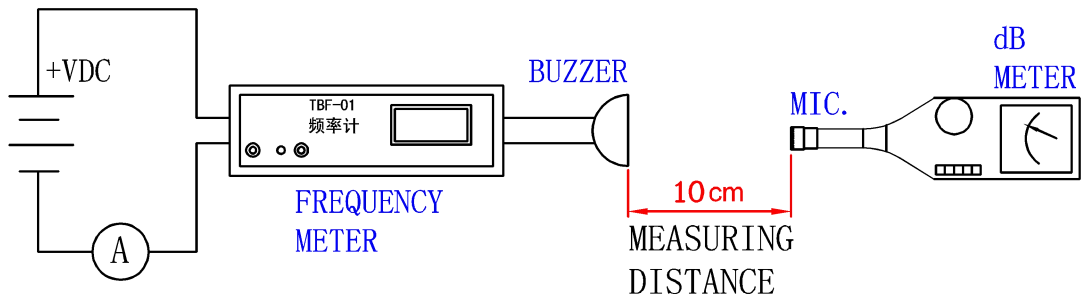
D. TESTING METHOD

Standard Measurement conditions

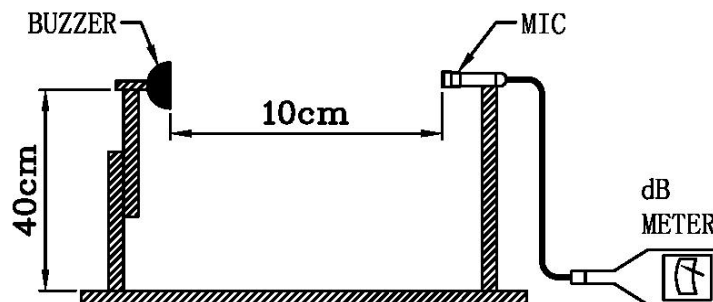
Temperature: 25±2°C Humidity: 45-65%

Acoustic Characteristics:

The oscillation frequency, current consumption and sound pressure are measured by the measuring instruments shown below



In the measuring test, buzzer is placed as follows:



SPECIFICATION FOR APPROVAL
承认书

PAGE NO.
页码

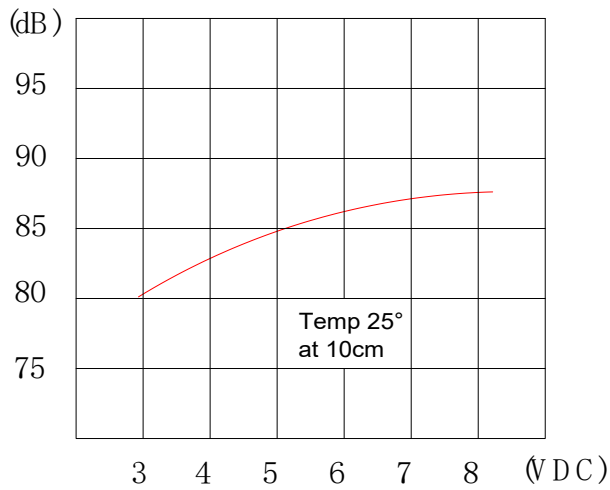
4/5

PART. NO.
产品型号

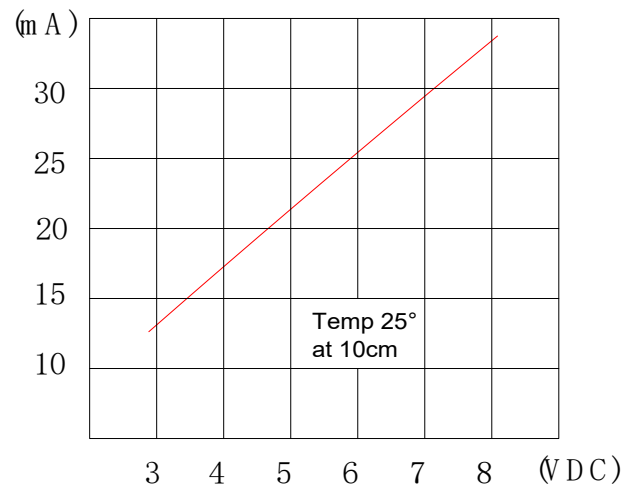
MIMS-9042-042-001

E. VOLTAGE / CURRENT / SOUND PRESSURE CHARACTERISTICS

dB-V



m A -V



SPECIFICATION FOR APPROVAL
承认书

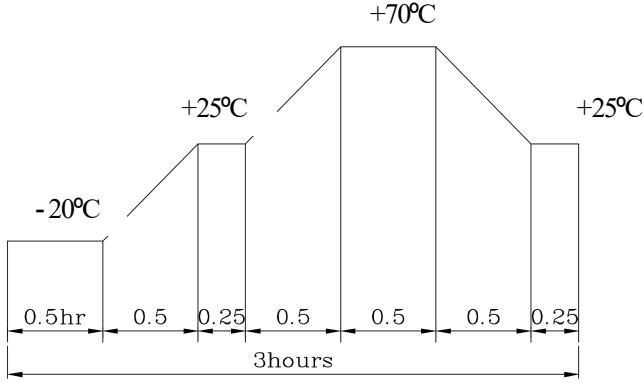
PAGE NO.
页码

5/5

PART .NO.
产品型号

MIMS-9042-042-001

F. RELIABILITY TEST

NO.	ITEM	TEST CONDITION AND REQUIREMENT
1	High Temperature Test (Storage)	After being placed in a chamber with $80\pm 2^{\circ}\text{C}$ for 96 hours and then being placed in normal condition for 2 hours. Allowable variation of SPL after test: $\pm 10\text{dB}$.
2	Low Temperature Test (Storage)	After being Placed in a chamber with $-30\pm 2^{\circ}\text{C}$ for 96 hours and then being placed in normal condition for 2 hours. Allowable variation of SPL after test: $\pm 10\text{dB}$.
3	Humidity Test	After being Placed in a chamber with 90-95% R.H. at $40\pm 2^{\circ}\text{C}$ for 96 hours and then being placed in normal condition for 2 hours. Allowable variation of SPL after test: $\pm 10\text{dB}$.
4	Temperature Cycle Test	The part shall be subjected to 5 cycles. One cycle shall be consist of:  Allowable variation of SPL after test: $\pm 10\text{dB}$.
5	Drop Test	Drop on a hard wood board of 4cm thick, any directions ,6 times, at the height of 75cm . Allowable variation of SPL after test: $\pm 10\text{dB}$.
6	Vibration Test	After being applied vibration of amplitude of 1.5mm with 10 to 55 Hz band of vibration frequency to each of 3 perpendicular directions for 2 hours . Allowable variation of SPL after test: $\pm 10\text{dB}$.
7	Solderability Test	Lead terminals are immersed in rosin for 5 seconds and then immersed in solder bath of $+300\pm 5^{\circ}\text{C}$ for 3 ± 1 seconds . 90% min. lead terminals shall be wet with solder (Except the edge of terminals).
8	Terminal Strength Pulling Test	The force of 9.8N(1.0kg) is applied to each terminal in axial direction for 10 seconds. No visible damage and cutting off.

TEST CONDITION.

Standard Test Condition	:	a) Temperature : $+5 \sim +35^{\circ}\text{C}$	b) Humidity : 45-85%	c) Pressure : 860-1060mbar
一般测试条件	:	a) 温度 : $+5 \sim +35^{\circ}\text{C}$	b) 湿度 : 45-85%	c) 气压 : 860-1060mbar
Judgment Test Condition	:	a) Temperature : $+25 \pm 2^{\circ}\text{C}$	b) Humidity : 60-70%	c) Pressure : 860-1060mbar
争议时测试条件	:	a) 温度 : $+25 \pm 2^{\circ}\text{C}$	b) 湿度 : 60-70%	c) 气压 : 860-1060mbar