

SPECIFICATION FOR APPROVAL

承认书

Customer (客户) : _____

Product Name (产品名称) : _____ 防水咪头 _____

Zhenmei Part No. (臻美型号): _____ MI06027DD(-L)CR-42 _____

Specification (规格) : _____ $\phi 35$ _____

Customer's Model No. (客户型号): _____

Specification No. (规格书编号): _____ DG06027DD(-L)CR _____

Number of the edition (版本号) : _____ A1 _____

CUSTOMER'S APPROVED SIGNATURE 客户承认盖章

CUSTOMER'S APPROVED SIGNATURE 客户承认盖章		



臻美智能电子
ZHENMEI INTELLIGENT ELECTRONICS

广东臻美智能智能科技有限公司

Guangdong zhenmei intelligent electronic technology co., ltd.

地址:广东省东莞市塘厦镇华新智慧工业园华新路 22 号

TEL: 400-659-1989 FAX:0769-82196690

Http: www.zhenmeigd.com E-MAIL: sales888@zhenmeigd.com

Approved by 核准	Checked by 审核	Issued by 制成

承认书

1. Scope

The specifications should be applied to electret condenser microphone of MI06027DD(-L)CR-42

2. Storage And Judgement Conditions

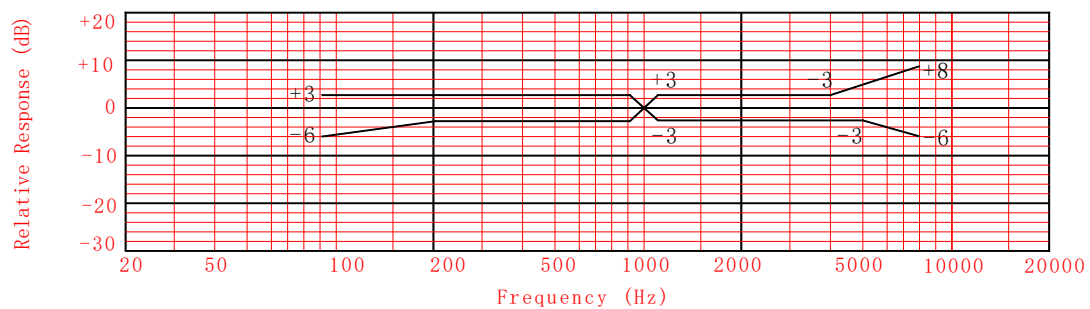
	Temperature Range(° C)	Rel. Humidity (%)	Static Pressure (kPa)
Judgement	19~21	60~70	86~106
Storage	-30~70		
Operating	-20~60		

3. Specifications

Test Conditions: $V_s=2.0V$, $R_L=2.2K\Omega$, $Temp=20\pm 2^\circ C$, $R.H=60\pm 5\%$

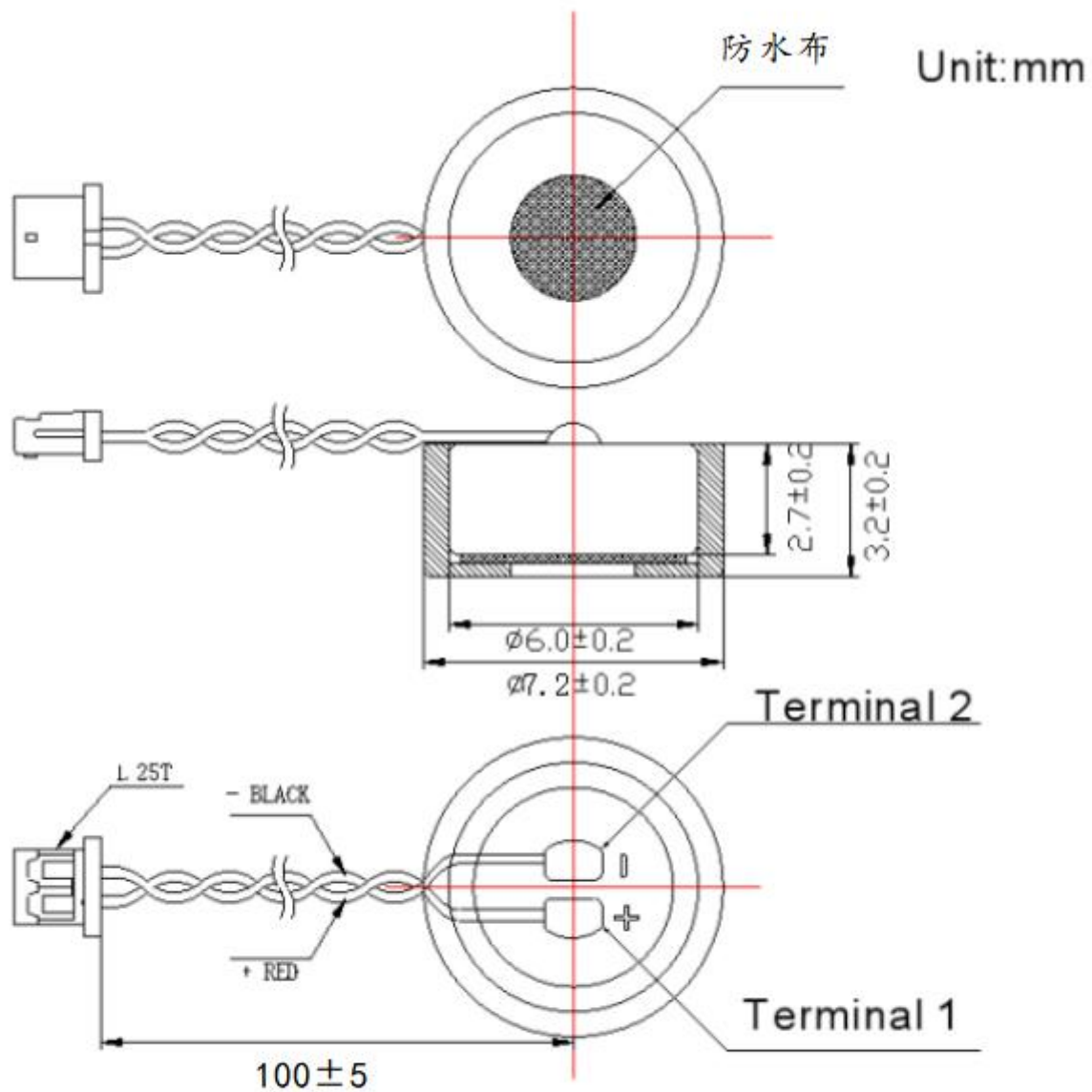
ITEM	Symbol	Test Conditions	Min	Standard	Max	Unit
Sensitivity	S	f=1KHz, S. P. L=1Pa	-45	-42	-39	dB 0dB=1V/Pa
Impedance	Z	f=1KHz, S. P. L=1Pa			2.2	K Ω
Directivity	Omni-directional					
Current Consumption	I		50		500	μA
Operation Voltage Range	Vs		1.0	2.0	10	V
S/N Ratio	S/N(A)	f=1KHz, S. P. L=1Pa A Curve	58			dB
Decreasing Voltage Characteristic	ΔS	f=1KHz, S. P. L=1Pa $V_s=2.0-1.5V$			-3	dB
Max. Input Sound Level	MISPL	f=1KHz, Distortion $\leq 3\%$			110	dB

4. Frequency Response



承认书

5. APPEARANCE & DIMENSIONS



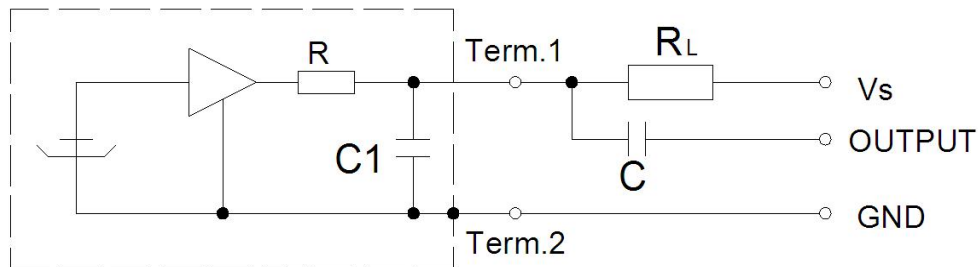
承认书

6. Test Circuit

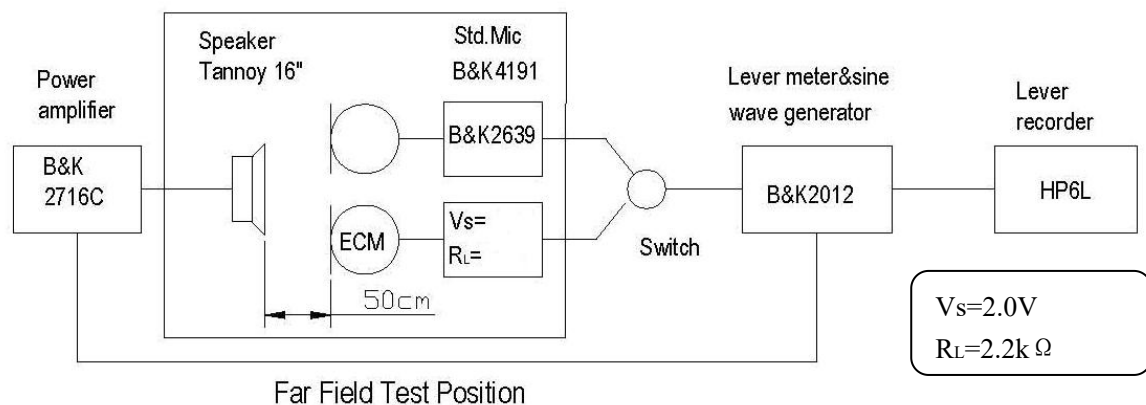
Measurement Circuit

Vs:Source Voltage 2.0V RL:Load Resistance 2.2KΩ

C1=10nF R=330Ω



7. Test Setup Drawing



承认书

8. Reliability Test

All tests should be done after 2 hours of conditioning at 20°C, R. H65% , while the sensitivity is to be within ± 3 dB from the initial sensitivity after the following experiments.

8.1 High Temperature Test

High temperature: +80°C

Duration: 72 hours

8.2 Low Temperature Test

Low temperature: -40°C

Duration: 72 hours

8.3 Temperature Cycle Test (See in Fig.1)

Low temperature: -40°C

High temperature: +80°C

Changeover time: 10min

Duration: 30min

Cycle: 32

8.4 Statical Humidity Test

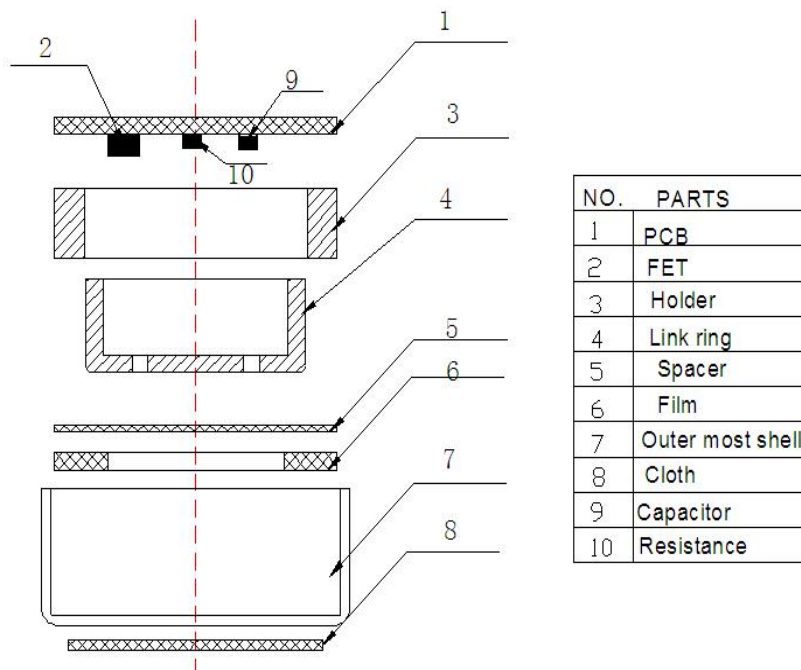
Temperature: +40°C

Relative humidity: 90~95%

Duration: 72hours

承认书

9. List and Structure of Materials



NO.	Part name	Material Type	Qty	Origin	Manufacture	Remarks
1	PCB	FR-4	1			
2	FET	J35	1			
3	Holder	POM	1			
4	Link ring	AL-Mg	1			
5	Spacer	Mylar	1			
6	Film	FEP	1			
7	Outer most shell	AL	1			
8	Cloth	Fabrics	1			
9	Capacitor	10nF 0402	1			
10	Resistance	330 Ω 0402	1			

SPECIFICATION FOR APPROVAL	PAGE NO. 页码	7/7
承认书	PART . NO. 产品型号	MI06027DD (-L) CR-42

10. HANDLING INSTRUCTION

1、 Assembly process

- a)、 After connector and holder are once disassembled , they should not be re-used.
- b)、 Do not touch outer springs directly(except for PCB or proper terminal set at nominal height.
- c)、 Do not give any mechanical shocks to the micphone(e.g. dropping to floor)

2、 General information

2-1: This microphone shall not be operated or stored in following environment.

- >where liquid(water,solvent and so on)splashes.
- >where the air has a high concentration of corrosive gas .
- >where is too dusty.
- >where temperature changes rapidly.

2-2: Frequency response especially in high frequency region is dependent on the structure of enclosure.

Please remove additional acoustic mass or cavity in front of the microphone to the utmost.

2-3:do not put mechanical pressure more than 2 kg to the microphone.

2-4: microphone should not be in state of outgoing packing for a long-term storage.

2-5: all the soldering procedures upon microphone must be complete in a metallic device,the temperature of the soldering irons must be limited as 320℃ and less 3 s ,the operators、 the solder fixtures and the soldering irons must be statically grounded under each soldering process.